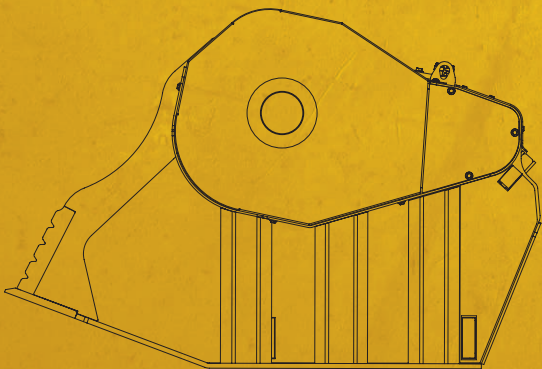
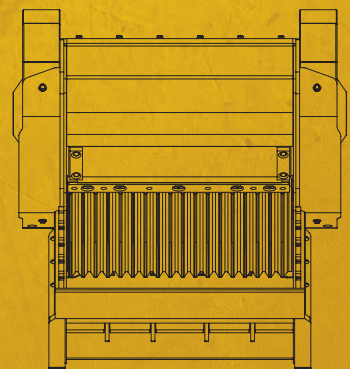


# BF 80.3



2100 mm



1400 mm

1300 mm

# “Light and **reliable**”



Suitable for excavators that exceed 18.5 tons of weight, the crusher bucket BF 80.3 is compact, versatile and suitable for the operations of crushing and recycling of inert material or resulting from demolition (road works - excavations - pipes - pipelines).

In spite of its size and lower weight compared to larger models, it reaches productivity of 34 m<sup>3</sup> per hour.



## AREAS OF APPLICATION

QUARRIES  
DEMOLITION  
RECYCLING  
EXCAVATION  
MINES  
ROAD WORKS

## SPECIFICATIONS

RECOMMENDED EXCAVATOR	LOAD CAPACITY	OPENING DIMENSIONS	OUTPUT SETTING	DIMENSIONS
≥ 18,5 Ton	0,75 m <sup>3</sup>	L 840 H 510 mm	≥ 15 mm ≤ 135 mm	2100 x 1300 H 1400 mm
OIL FLOW	PRESSURE	COUNTER PRESSURE	WEIGHT	MAXIMUM PRODUCTION
160 l	215 bar	10 bar	3 Ton	34 m <sup>3</sup> /h

## ACCESSORIES

RECOMMENDED SPARE PARTS KIT	FIX COUPLER	QUICK FEMALE COUPLER	IRON SEPARATOR	MIST KIT
BF8030010	FC8030000	BF8030000	BF8030017	KNMB00L
				<b>24 MONTHS WARRANTY</b>
				WA248030